



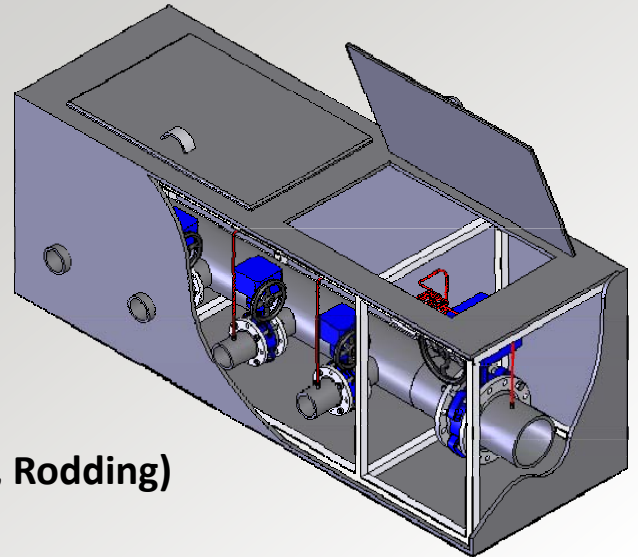
Viridian Systems Limited

Fabrications

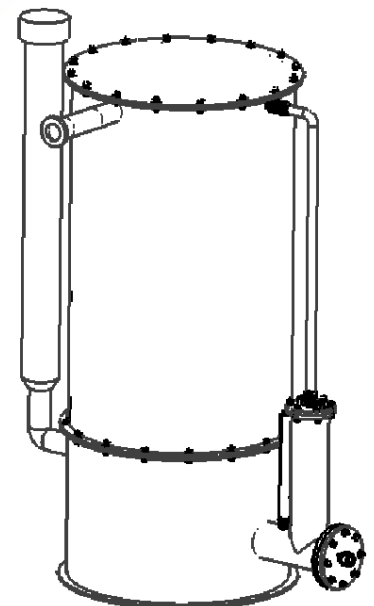
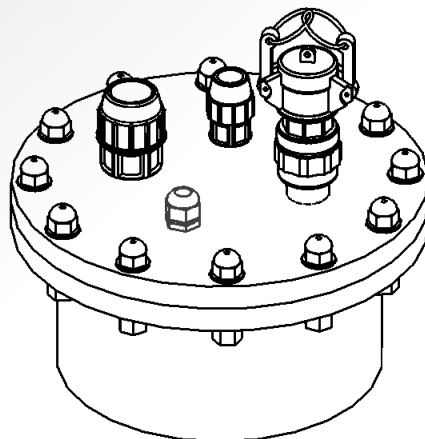
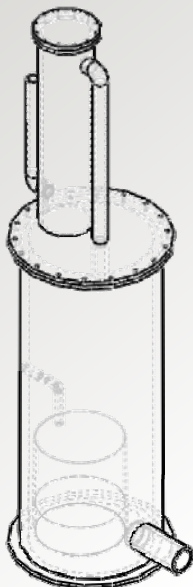
We have a modern well equipped HDPE fabrication workshop where we manufacture all manner of fabrication. These are either to our own or customers designs.

Fabrications we can produce:

- **Manifolds**
- **Flanges & Top Plates**
- **Gaskets**
- **Well Heads (Gas, Leachate & Blanking)**
- **Tanks & Vessels**
- **Knock Out Pots**
- **Bends**
- **Chambers (Manifold, Valve, Access, Diverter, Rodding)**
- **Manhole Chambers**
- **Manhole chamber backdrops**
- **Silt Traps**
- **Pontoons & Floating Platforms**



We also design and supply steel fabrications for most applications e.g. settling tanks, cages, gantry's, well-head chambers etc.



Contact us now on 0151 639 8666

www.viridiansystems.com

email: info@viridiansystems.com